



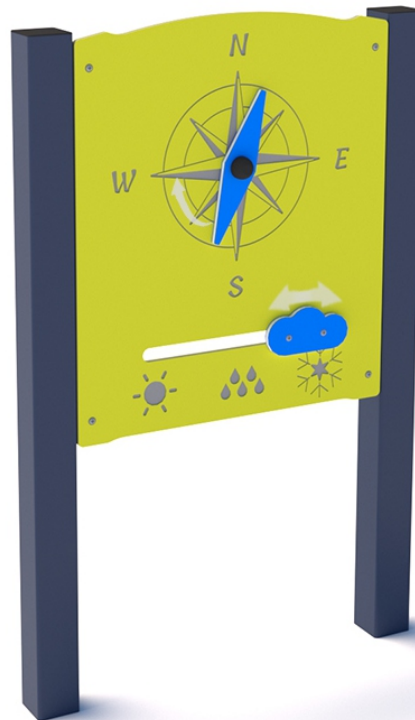
## Data sheet

EN Outdoor play equipment

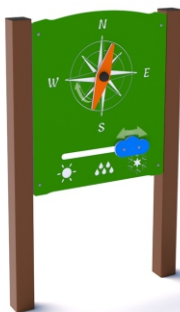
Designed according to PN-EN 1176-1:2017-12  
Made in Poland

Technical details:

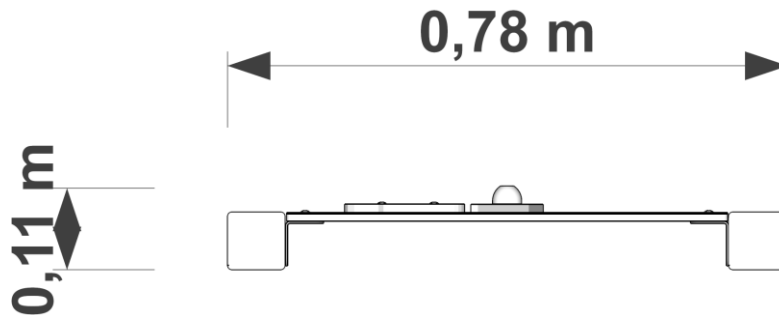
- Device dimensions: 0,78 x 0,11 m
- Height: 1,2 m
- Free height of fall (HIC): - m
- Age group: 1 +



Available colors:



## Device and safety area dimensions



### Material specification:

Construction: steel profile 80 x 80 x 3 mm, powder coated  
 Panel: weatherproof hdpe  
 Anchoring: devices permanently anchored in the ground on a concrete foundation of min. B12/16, 50 cm below the ground level

### Safe surface:

Any