

Data sheet

A device for playing outdoors

Made based on the standard PN-EN 1176-1:2017-12

Manufactured in Poland

Technical data

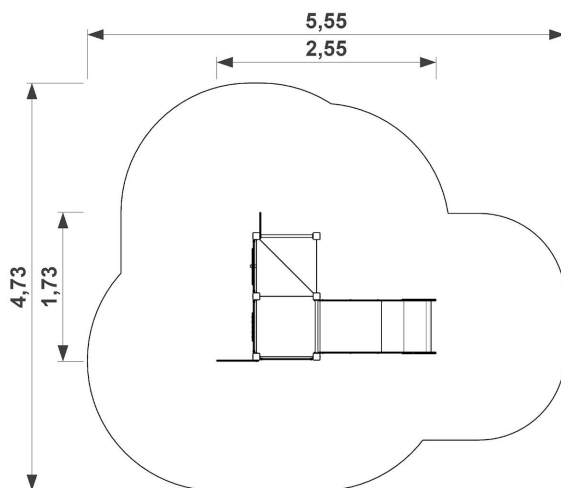
- Device size: 2,55 x 1,73 m
- Total height: 1,70 m
- Impact area dimensions: 5,55 x 4,73 m
- Impact area: 19,78 m²
- Free fall height (HIC): 0,90 m
- Age: 3+



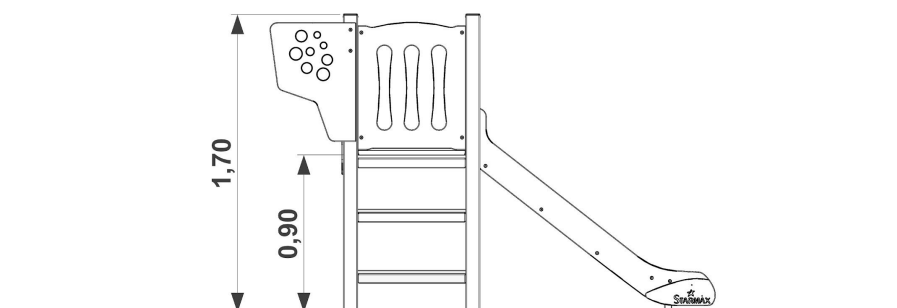
Available colors



Device and impact area dimensions



Height



Material specification:

Construction:	steel profile 80 x 80mm, galvanized and powder coated
Bars / ladders:	pipe 26,9x2,9 mm galvanized and powder coated
Slide:	stainless steel
Platform:	stainless steel and weatherproof non-slip HDPE
Barriers:	weatherproof HDPE
Connections:	stainless steel
Anchor:	devices permanently anchored in the ground on a concrete foundation of min. C20/25, 60 cm below the ground level

Impact attenuating surface:

It is required to make one of the impact attenuating surface:

- Grass
- Sand – 0,2 - 2 mm grain size, depth min. 300 mm,
- Gravel – 2 - 8 mm grain size, depth min. 300 mm,
- Bark – 20 - 80 mm particle size, depth min. 300 mm,
- Woodchips – 5 - 30 mm particle size, depth min. 300 mm,
- Other materials and other depths as tested according to EN 1177

