



## Data sheet

A device for playing outdoors

Made based on the standard PN-EN 1176-1:2017-12

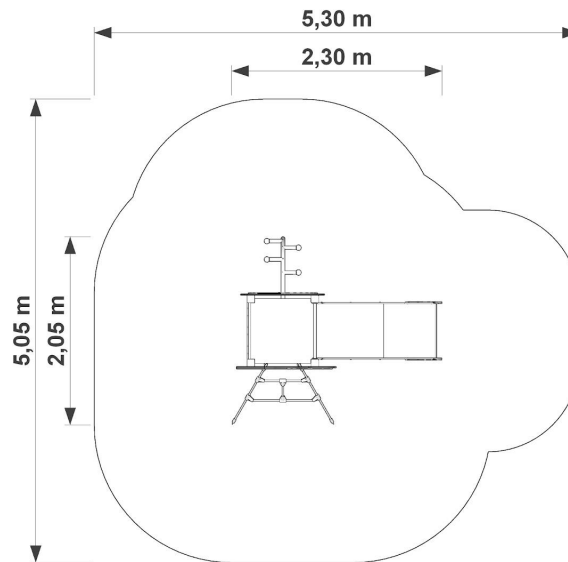
Manufactured in Poland

### Technical data

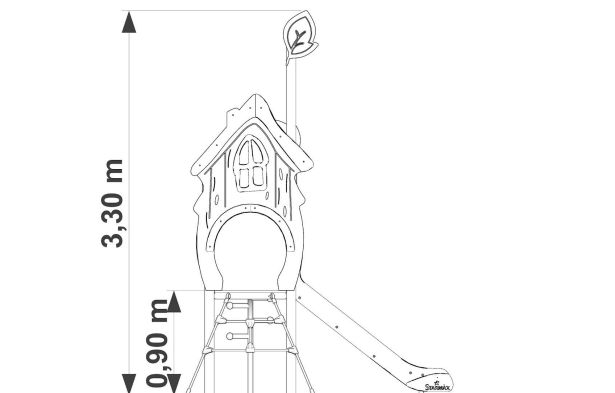
- Device size:	2,30 x 2,05 m
- Total height:	3,30 m
- Impact area dimensions:	5,30 x 5,05 m
- Impact area:	20,94 m <sup>2</sup>
- Free fall height (HIC):	0,90 m
- Age:	3+



## Device and impact area dimensions



## Height



## Material specification:

Construction:	steel profile 80 x 80 mm, galvanized and powder coated
Bars / ladders:	pipe 26,9x2,9 mm galvanized and powder coated
Slide:	stainless steel
Platform:	stainless steel and weatherproof non-slip HDPE
Barriers:	weatherproof HDPE
Lines:	polypropylene with steel core
Connections:	stainless steel
Applications:	weatherproof HDPE
Anchor:	devices permanently anchored in the ground on a concrete foundation of min. C20/25, 60 cm below the ground level

## Impact attenuating surface:

It is required to make one of the impact attenuating surface: Grass  
 Sand – 0,2 - 2 mm grain size, depth min. 200 mm,  
 Gravel – 2 - 8 mm grain size, depth min. 300 mm,  
 Bark – 20 - 80 mm particle size, depth min. 200 mm,  
 Woodchips – 5 - 30 mm particle size, depth min. 200 mm,  
 Other materials and other depths as tested according to EN 1179

