

## Data sheet

A device for playing outdoors

Made based on the standard PN-EN 1176-1:2017-12

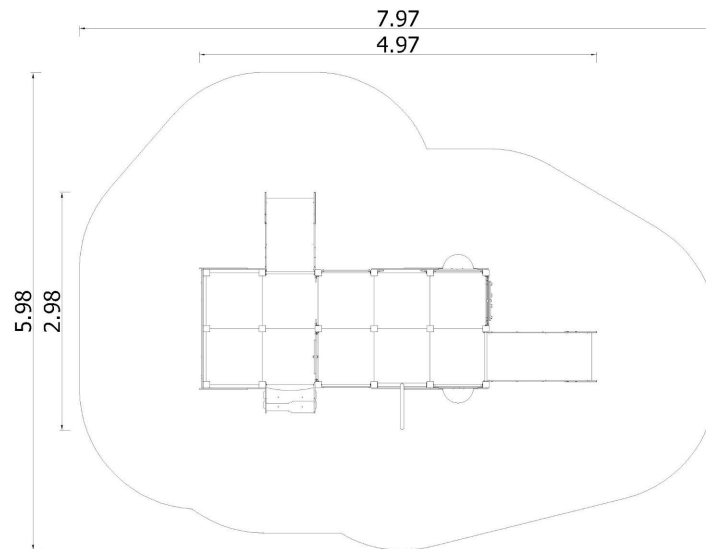
Manufactured in Poland

### Technical data

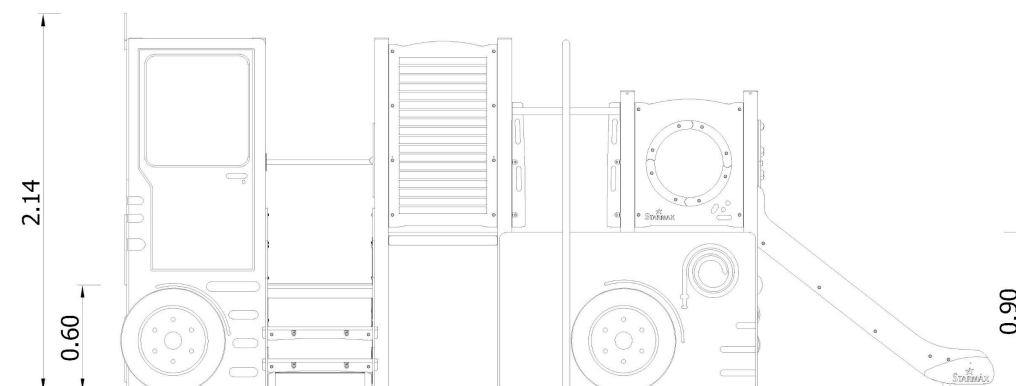
- Device size:	4,97 x 2,98 m
- Total height:	2,14 m
- Impact area dimensions:	7,97 x 5,98 m
- Impact area:	36,60 m <sup>2</sup>
- Free fall height (HIC):	0,90 m
- Age:	3 +



## Device and impact area dimensions



## Height



## Material specification:

Construction:	steel profile 80 x 80 mm, galvanized and powder coated
Bars / ladders:	pipe 26,9x2,9 mm galvanized and powder coated
Slide:	stainless steel
Platform:	stainless steel and HDPE
Barriers:	weatherproof HDPE
Connections:	stainless steel
Fireman's pole:	stainless steel
Applications:	weatherproof HDPE
Anchor:	devices permanently anchored in the ground on a concrete foundation of min. C20/25, 60 cm below the ground level

## Impact attenuating surface:

It is required to make one of the impact attenuating surface:

Grass

Sand – 0,2 - 2 mm grain size, depth min. 300 mm,

Gravel – 2 - 8 mm grain size, depth min. 300 mm,

Bark – 20 - 80 mm particle size, depth min. 300 mm,

Woodchips – 5 - 30 mm particle size, depth min. 300 mm,

Other materials and other depths as tested according to EN 1177

