

## Data sheet

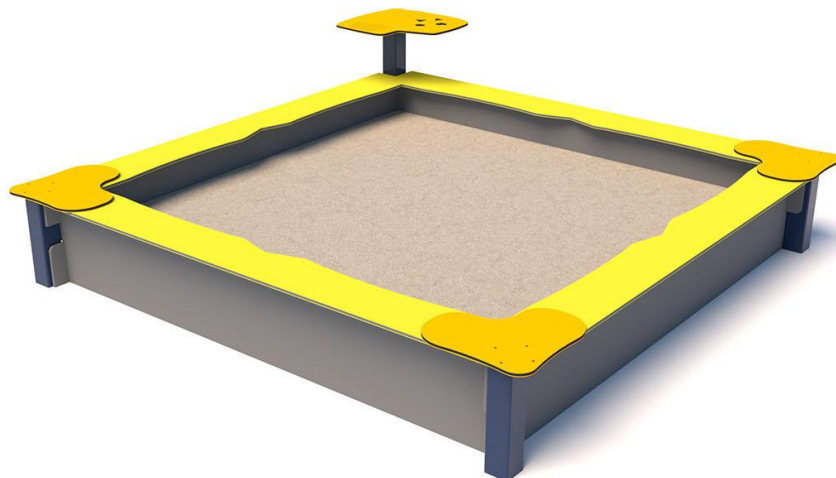
A device for playing outdoors

Made based on the standard PN-EN 1176-1:2017-12

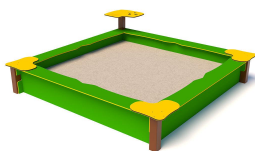
Manufactured in Poland

### Technical data

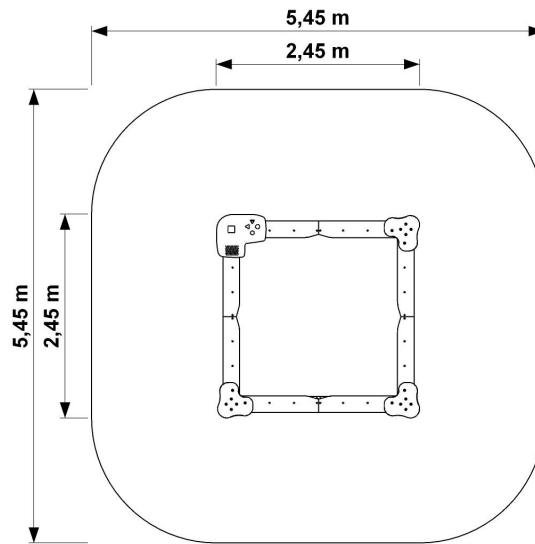
- Device size:	2,45 x 2,45 m
- Total height:	0,65 m
- Impact area dimensions:	5,45 x 5,45 m
- Impact area:	27,74 m <sup>2</sup>
- Free fall height (HIC):	0,37 m
- Age:	0-3, 3+



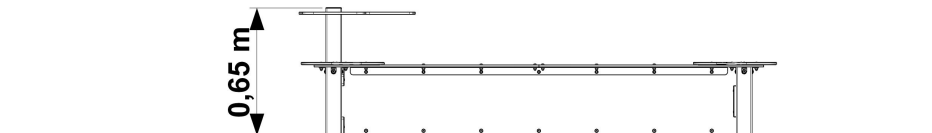
### Available colors



**Device and impact area dimensions**



**Height**



**Material specification:**

- Construction: steel profile 80 x 80 mm, galvanized and powder coated  
galvanized folded sheet
- Seat: weatherproof HDPE
- Anchor: devices permanently anchored in the ground on a concrete foundation of min. C20/25, 60 cm below the ground level

**Impact attenuating surface:**

Any

