

Data sheet

EN Outdoor play equipment

Designed according to PN-EN 1176-1:2017-12
Made in Poland

Technical details:

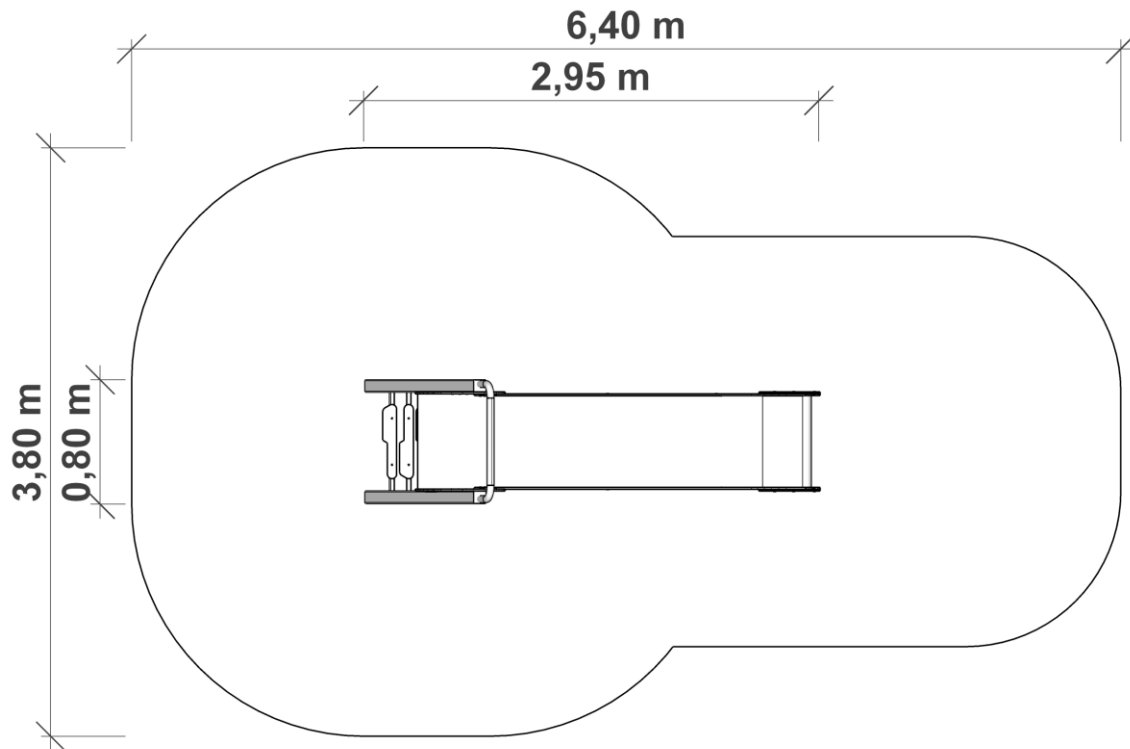
- Device dimensions: 2,95 x 0,80 m
- Height: 2,40 m
- Safety area dimensions: 6,40 x 3,80 m
- Safety area: 19,20 m²
- Free height of fall (HIC): 1,50 m
- Age group: 2 +



Available colors:



Device and safety area dimensions



Material specification:

| | |
|---------------|--|
| Construction: | pipe 42,4 x 2,9 mm, powder coated |
| Platform: | HPL |
| Slide: | stainless steel |
| Sides: | weatherproof hdpe |
| Anchoring: | devices permanently anchored in the ground on a concrete foundation of min. C20/25, 50 cm below the ground level |

Safe surface:

It is required to make one of the impact attenuating surface:
 Sand – 0,2 - 2 mm grain size, depth min. 300 mm,
 Gravel – 2 - 8 mm grain size, depth min. 300 mm,
 Bark – 20 - 80 mm particle size, depth min. 300 mm,
 Woodchips – 5 - 30 mm particle size, depth min. 300 mm,
 Other materials and other depths as tested according to EN 1177