

Data sheet

A device for playing outdoors

Made based on the standard PN-EN 1176-1:2017-12

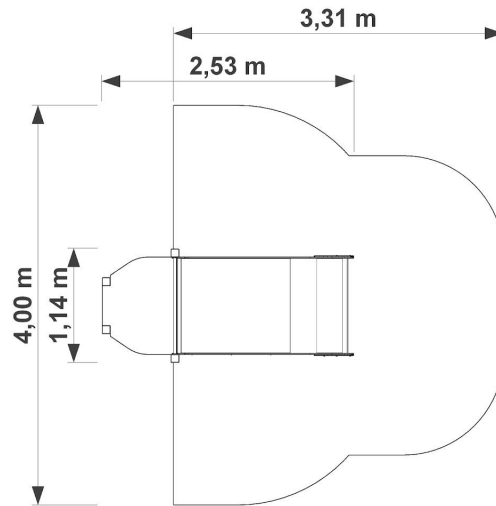
Manufactured in Poland

Technical data

- Device size:	2,53 x 1,14 m
- Total height:	1,20 m
- Impact area dimensions:	4,31 x 4,00 m
- Impact area:	10,90 m ²
- Free fall height (HIC):	0,30 m
- Age:	3+



Device and impact area dimensions



Height

Material specification:

Construction:	steel profile 80 x 80 mm, galvanized and powder coated
Platform:	weatherproof non-slip HDPE
Barriers:	weatherproof HDPE
Anchor:	devices permanently anchored in the ground on a concrete foundation of min. C20/25, 60 cm below the ground level

Impact attenuating surface:

Any

