

## Data sheet

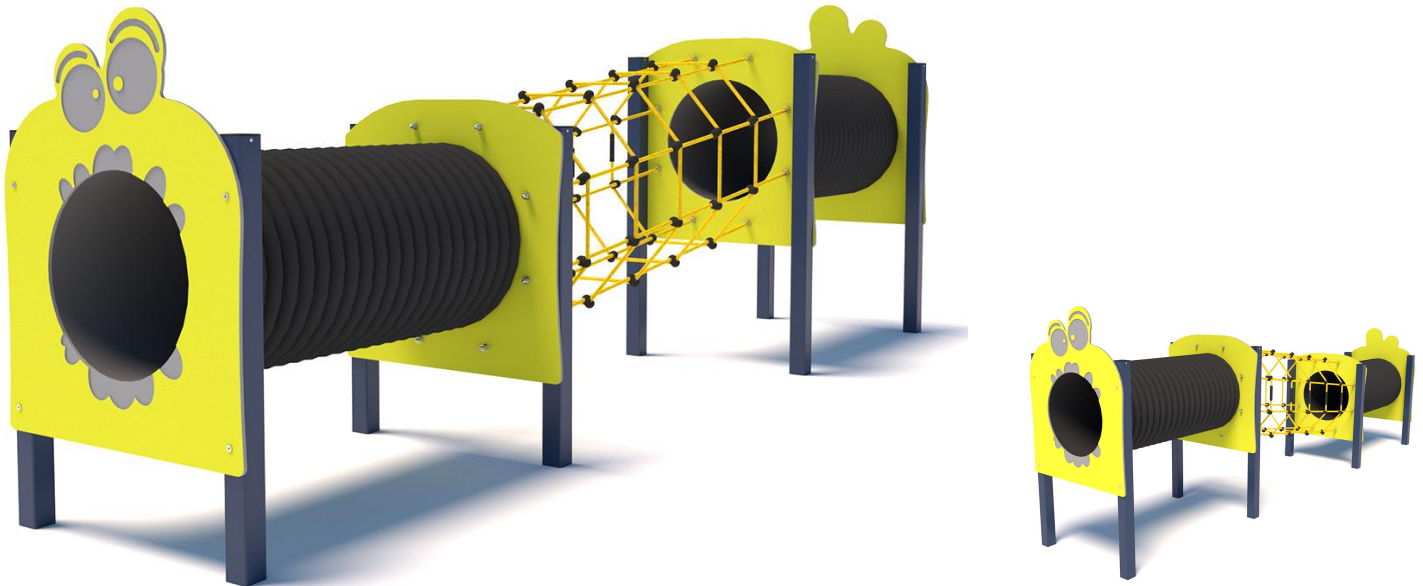
A device for playing outdoors

Made based on the standard PN-EN 1176-1:2017-12

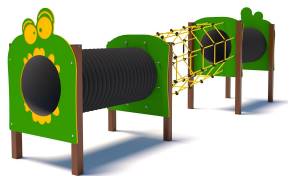
Manufactured in Poland

### Technical data

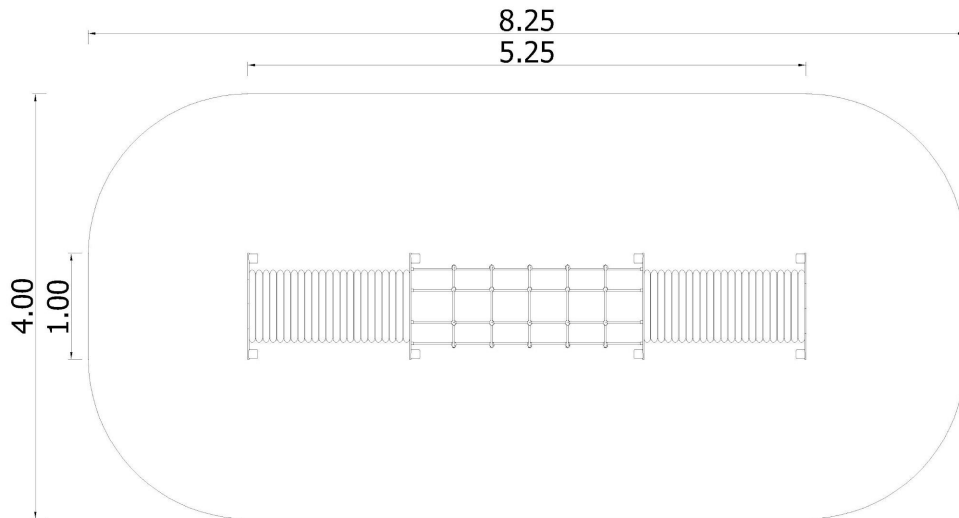
- Device size:	5,25 x 1,00 m
- Total height:	1,85 m
- Impact area dimensions:	8,25 x 4,00 m
- Impact area:	31,1 m <sup>2</sup>
- Free fall height (HIC):	0,72 m
- Age:	3+



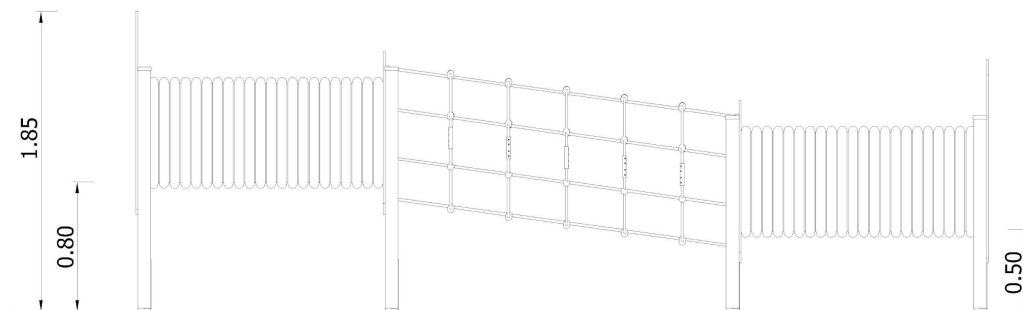
### Available colors



## Device and impact area dimensions



## Height



## Material specification:

Construction:	layer glued wood 80 x 80 mm
Barriers:	weatherproof HDPE
Lines:	polypropylene with steel core
Connections:	stainless steel
Tube:	polipropylen
Applications:	weatherproof HDPE
Wall:	weatherproof HDPE
Anchor:	devices permanently anchored in the ground on a concrete foundation of min. C20/25, 60 cm below the ground level

## Impact attenuating surface:

It is required to make one of the impact attenuating surface:

Grass

Sand – 0,2 - 2 mm grain size, depth min. 300 mm,

Gravel – 2 - 8 mm grain size, depth min. 300 mm,

Bark – 20 - 80 mm particle size, depth min. 300 mm,

Woodchips – 5 - 30 mm particle size, depth min. 300 mm,

Other materials and other depths as tested according to EN 1177

