

## Data sheet

A device for playing outdoors

Made based on the standard PN-EN 1176-1:2017-12

Manufactured in Poland

### Technical data

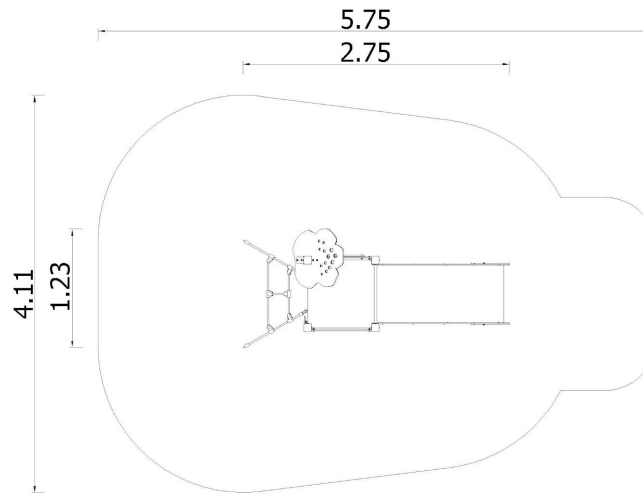
- Device size:	2,75 x 1,23 m
- Total height:	2,68 m
- Impact area dimensions:	5,75 x 4,11 m
- Impact area:	18,80 m <sup>2</sup>
- Free fall height (HIC):	0,90 m
- Age:	1+



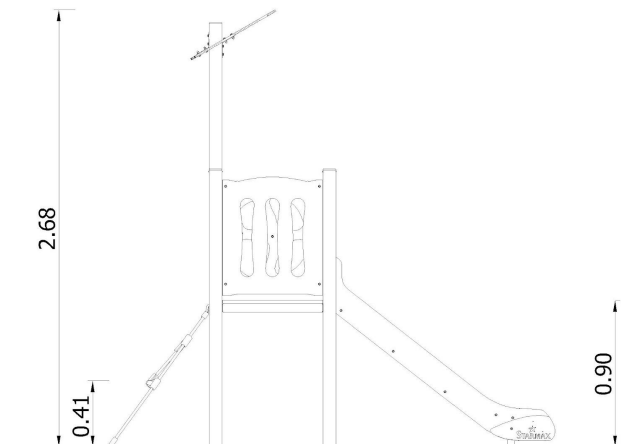
Available colors



**Device and impact area dimensions**



**Height**



**Material specification:**

Construction:	steel profile 80 x 80 mm, galvanized and powder coated
Bars / ladders:	pipe 26,9x2,9 mm galvanized and powder coated
Slide:	stainless steel
Platform:	stainless steel and weatherproof non-slip HDPE
Barriers:	weatherproof HDPE
Roof:	weatherproof HDPE
Lines:	polypropylene with steel core
Connections:	stainless steel
Anchor:	devices permanently anchored in the ground on a concrete foundation of min. C20/25, 60 cm below the ground level

**Impact attenuating surface:**

It is required to make one of the impact attenuating surface:

- Grass
- Sand – 0,2 - 2 mm grain size, depth min. 200 mm,
- Gravel – 2 - 8 mm grain size, depth min. 200 mm,
- Bark – 20 - 80 mm particle size, depth min. 200 mm,
- Woodchips – 5 - 30 mm particle size, depth min. 200 mm,
- Other materials and other depths as tested according to EN 1177

