

Data sheet

A device for playing outdoors
Made based on the standard
PN-EN 1176-1:2017-12

Manufactured in Poland

Technical data

- Device size:	5,36 x 4,76 m
- Total height:	3,34 m
- Impact area dimensions:	8,36 x 7,76 m
- Impact area:	42,69 m ²
- Free fall height (HIC):	1,20 m
- Age:	3+



Available colors



Set contains:

Platforms of various heights
Large tower with a climbing roof
and fireman's exit

Large tower with a roof, balcony
and slide

Small tower with stairs and a slide

Tube passage
Porthole panel

HDPE bridge passage

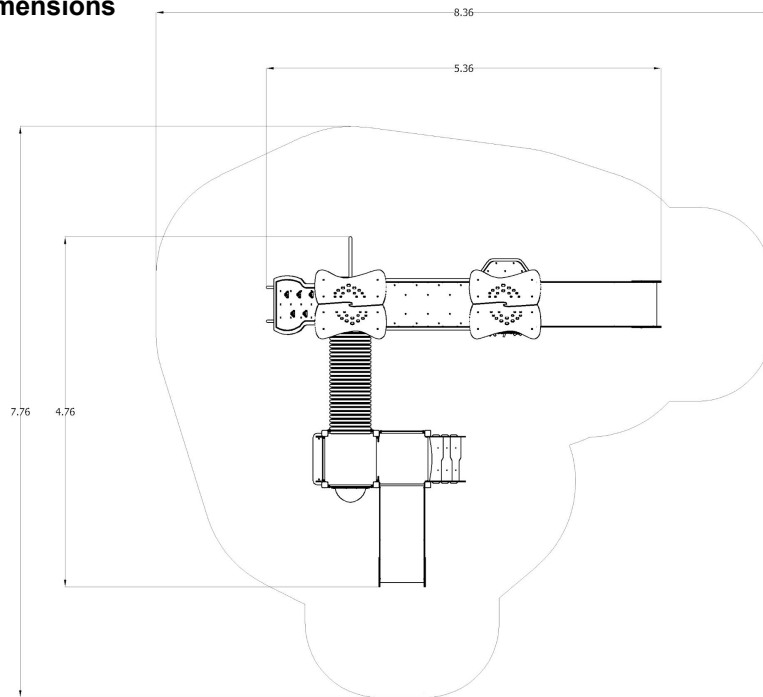
Tic-tac-toe panel

Bench panel
Fence panel

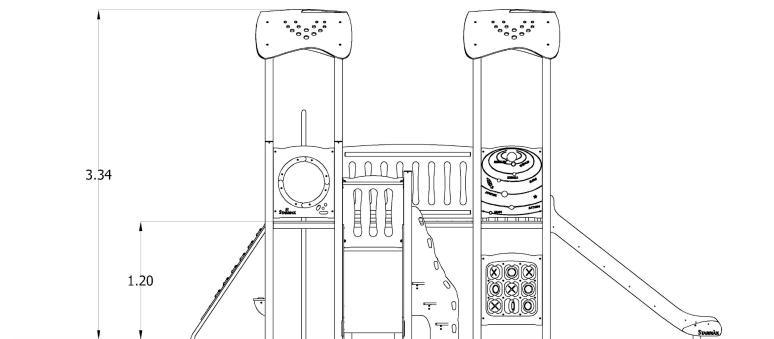
Cosmos panel



Device and impact area dimensions



Height



Material specification:

Construction:	steel profile 80 x 80 mm, galvanized and powder coated
Bars / ladders:	pipe 26,9 mm galvanized and powder coated
Slide:	stainless steel
Platform:	stainless steel and weatherproof non-slip HDPE
Barriers:	weatherproof HDPE
Roof:	weatherproof HDPE
Connections:	stainless steel
Fireman's pole:	stainless steel
Tube:	polypropylene
Applications:	weatherproof HDPE
Anchor:	devices permanently anchored in the ground on a concrete foundation of min. C20/25, 60 cm below the ground level

Impact attenuating surface:

It is required to make one of the impact attenuating surface:
 Sand – 0,2 - 2 mm grain size, depth min. 300 mm,
 Gravel – 2 - 8 mm grain size, depth min. 300 mm,
 Bark – 20 - 80 mm particle size, depth min. 300 mm,
 Woodchips – 5 - 30 mm particle size, depth min. 300 mm,
 Other materials and other depths as tested according to EN 1181

