

Data sheet

A device for playing outdoors

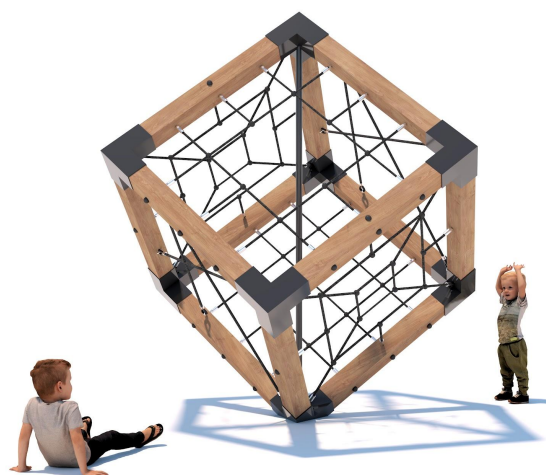
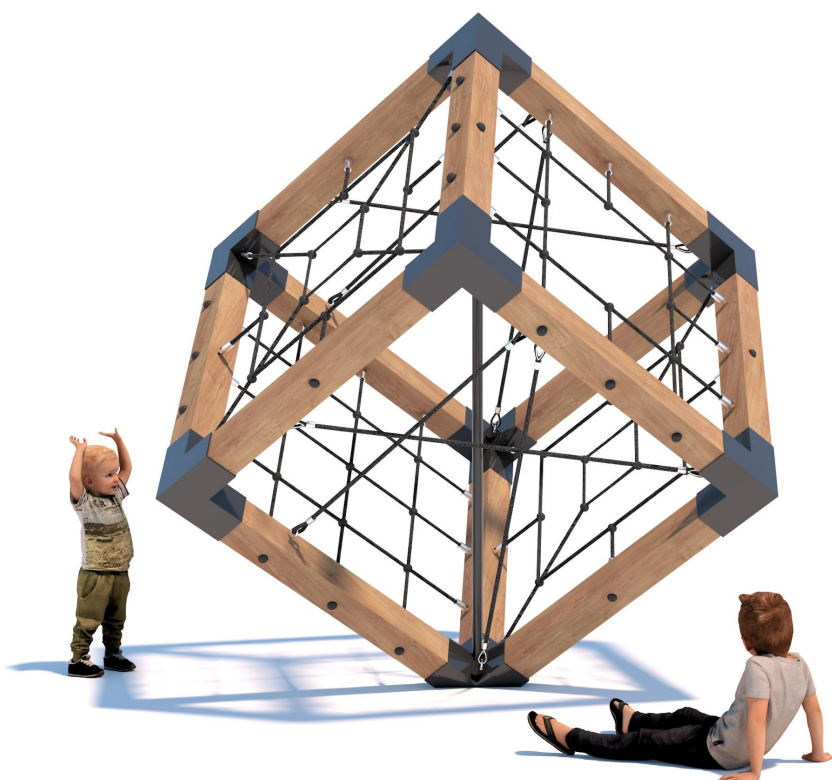
Made based on the standard

PN-EN 1176-1:2017-12

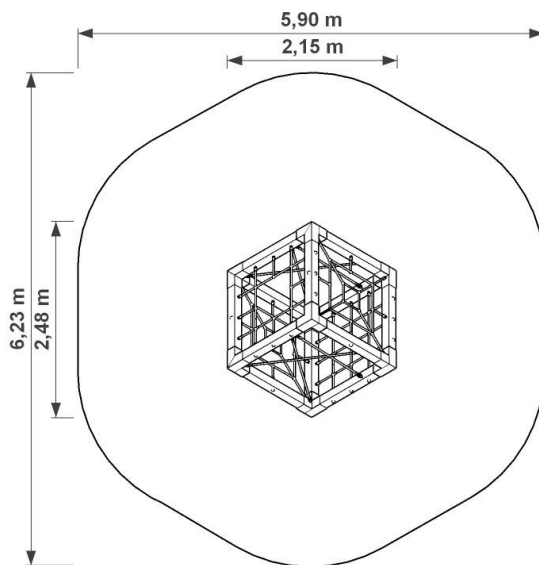
Manufactured in Poland

Technical data

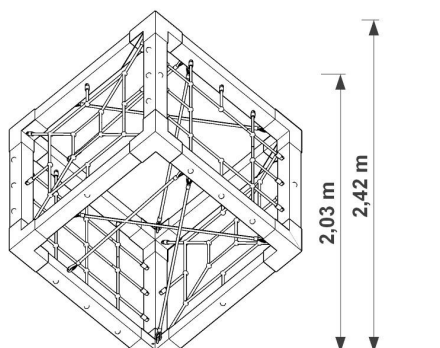
- Device size:	2,15 x 2,48 m
- Total height:	2,42 m
- Impact area dimensions:	5,90 x 6,23 m
- Impact area:	29,11 m ²
- Free fall height (HIC):	2,03 m
- Age:	3+



Device and impact area dimensions



Height



Material specification:

Construction:	wood profile 120 x 120 mm
Lines:	polypropylene with steel core
Connections:	stainless steel
Anchor:	devices permanently anchored in the ground on a concrete foundation of min. C20/25, 60 cm below the ground level

Impact attenuating surface:

It is required to make one of the impact attenuating surface:

- Sand – 0,2 - 2 mm grain size, depth min. 300 mm,
- Gravel – 2 - 8 mm grain size, depth min. 300 mm,
- Bark – 20 - 80 mm particle size, depth min. 300 mm,
- Woodchips – 5 - 30 mm particle size, depth min. 300 mm,
- Other materials and other depths as tested according to EN 1179

