

Data sheet

A device for playing outdoors
Made based on the standard
PN-EN 1176-1:2017-12

Manufactured in Poland

Technical data

- Device size: 3,33 x 1,58 m
- Total height: 2,73 m
- Impact area dimensions: 6,27 x 4,57 m
- Impact area: 22,21 m²
- Free fall height (HIC): 0,64 m
- Age: 3+



Available colors



Set contains:

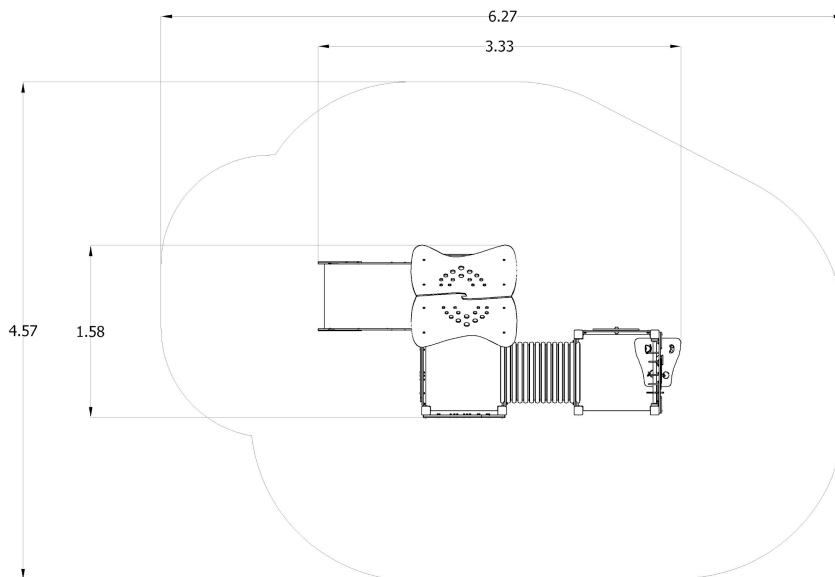
- Tower with roof and slide
- Two low towers
- Monster entrance

- Pinwheel panel
- Fence panel
- Tunnel passage

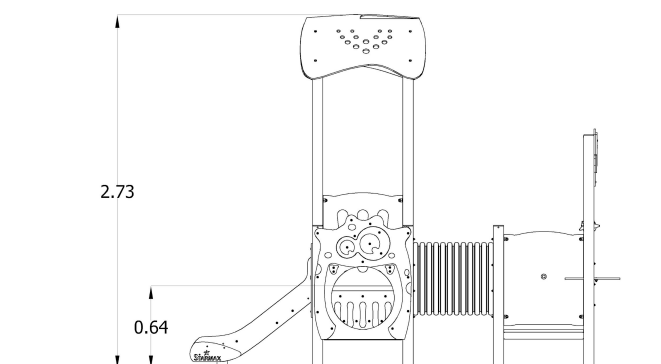
- Shop with a sign
- Abacus
- Window panel



Device and impact area dimensions



Height



Material specification:

Construction:	steel profile 80 x 80 mm, galvanized and powder coated
Slide:	stainless steel
Platform:	stainless steel and weatherproof non-slip HDPE
Barriers:	weatherproof HDPE
Roof:	weatherproof HDPE
Connections:	stainless steel
Tube:	polypropylene
Applications:	weatherproof HDPE
Wall:	weatherproof HDPE
Anchor:	devices permanently anchored in the ground on a concrete foundation of min. C20/25, 60 cm below the ground level

Impact attenuating surface:

It is required to make one of the impact attenuating surface:
 Sand – 0,2 - 2 mm grain size, depth min. 300 mm,
 Gravel – 2 - 8 mm grain size, depth min. 300 mm,
 Bark – 20 - 80 mm particle size, depth min. 300 mm,
 Woodchips – 5 - 30 mm particle size, depth min. 300 mm,
 Other materials and other depths as tested according to EN 1181

