

Data sheet

EN Outdoor play equipment

Designed according to PN-EN 1176-1:2017-12
Made in Poland

Technical details:

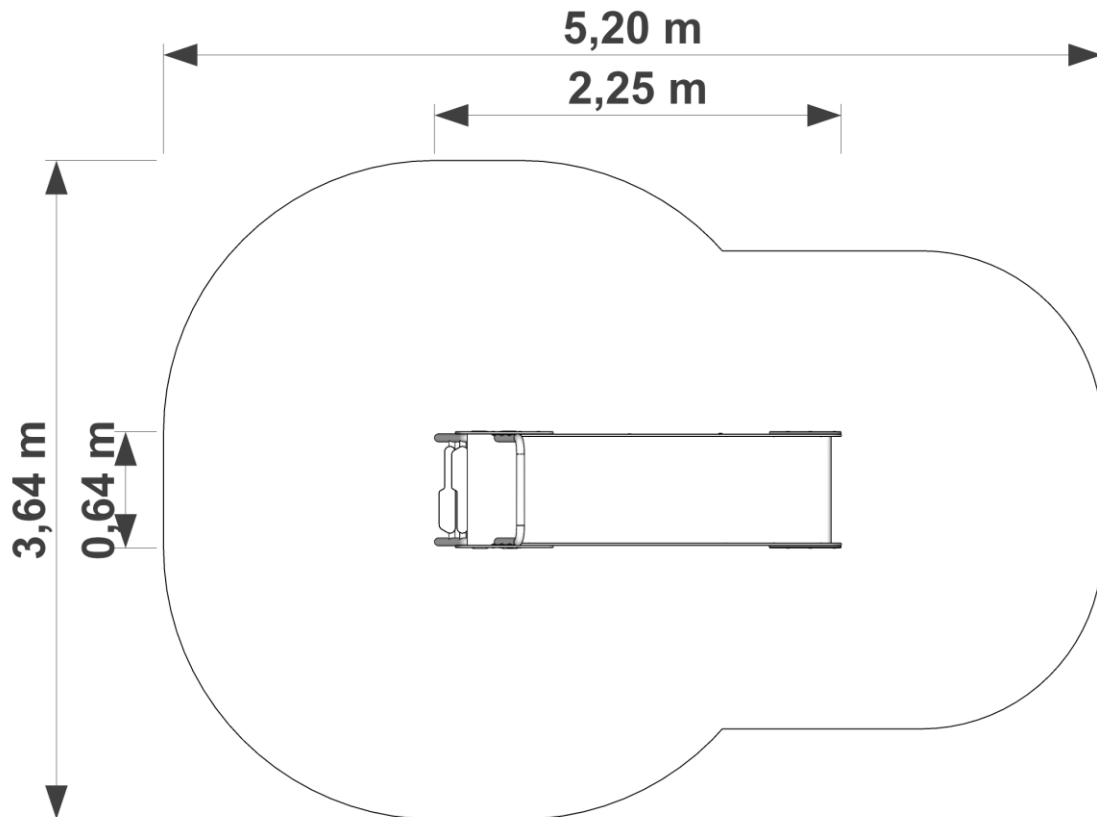
- Device dimensions: 1,25 x 0,64 m
- Height: 1,98 m
- Safety area dimensions: 5,20 x 3,64 m
- Safety area: 15,09 m²
- Free height of fall (HIC): 1,20 m
- Age group: 1 +



Available colors:



Device and safety area dimensions



Material specification:

Construction:	Pipe 42,4 x 2,9 mm, powder coated
Platform:	weatherproof hdpe Button
Slide:	stainless steel
Sides:	weatherproof hdpe
Anchoring:	devices permanently anchored in the ground on a concrete foundation of min. C20/25, 50 cm below the ground level

Safe surface:

It is required to make one of the impact attenuating surface:

Sand – 0,2 - 2 mm grain size, depth min. 300 mm,

Gravel – 2 - 8 mm grain size, depth min. 300 mm,

Bark – 20 - 80 mm particle size, depth min. 300 mm,

Woodchips – 5 - 30 mm particle size, depth min. 300 mm,

Other materials and other depths as tested according to EN 1177