

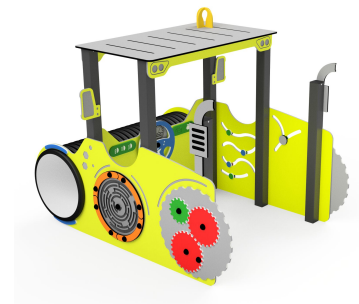
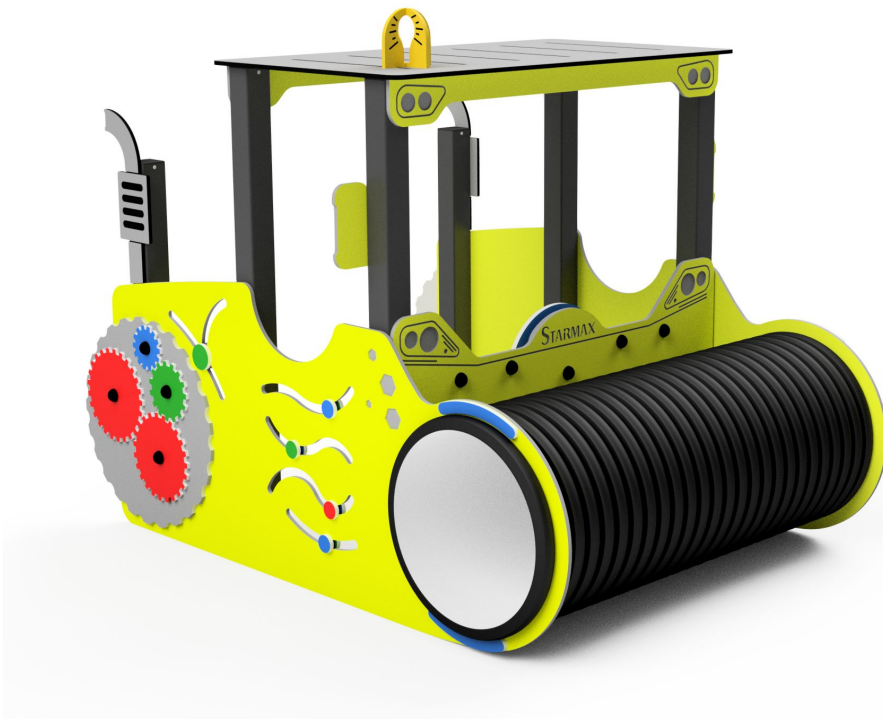
Data sheet

A device for playing outdoors
 Made based on the standard
 PN-EN 1176-1:2017-12

Manufactured in Poland

Technical data

- Device size:	2,00 x 1,52 m
- Total height:	1,57 m
- Impact area dimensions:	5,00 x 4,52 m
- Impact area:	20,10 m ²
- Free fall height (HIC):	0,6 m
- Age:	0+



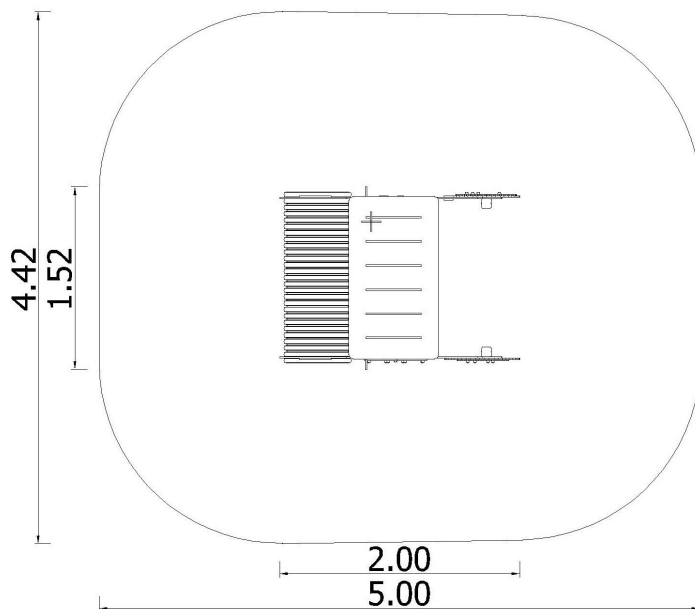
Set contains:

tunnel passage
 steering wheel

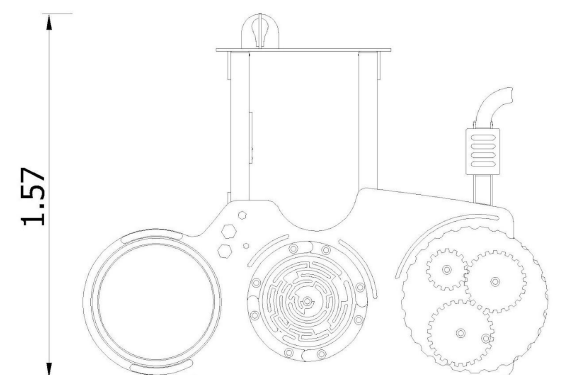
maze board
 2x control board modes



Device and impact area dimensions



Height



Material specification:

Construction:	steel profile 80 x 80 mm, galvanized and powder coated
Barriers:	weatherproof HDPE
Roof:	weatherproof HDPE
Connections:	stainless steel
Applications:	weatherproof HDPE
Anchor:	devices permanently anchored in the ground on a concrete foundation of min. C20/25, 60 cm below the ground level

Impact attenuating surface:

Any

