

Data sheet

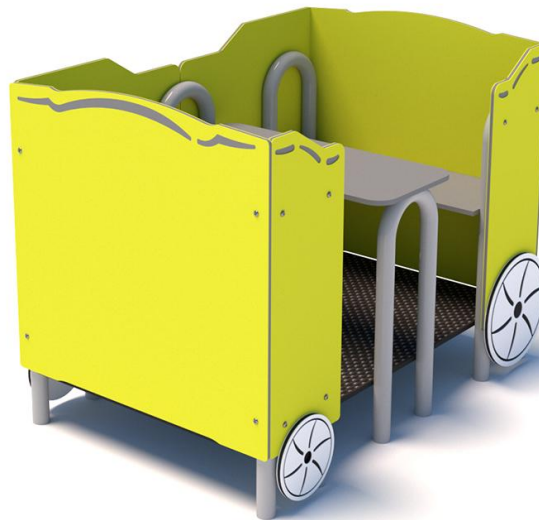
A device for playing outdoors

Made based on the standard PN-EN 1176-1:2017-12

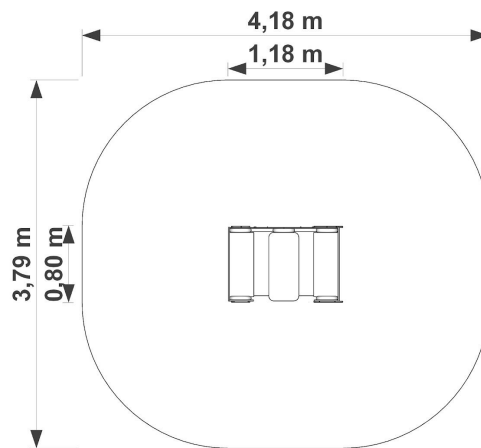
Manufactured in Poland

Technical data

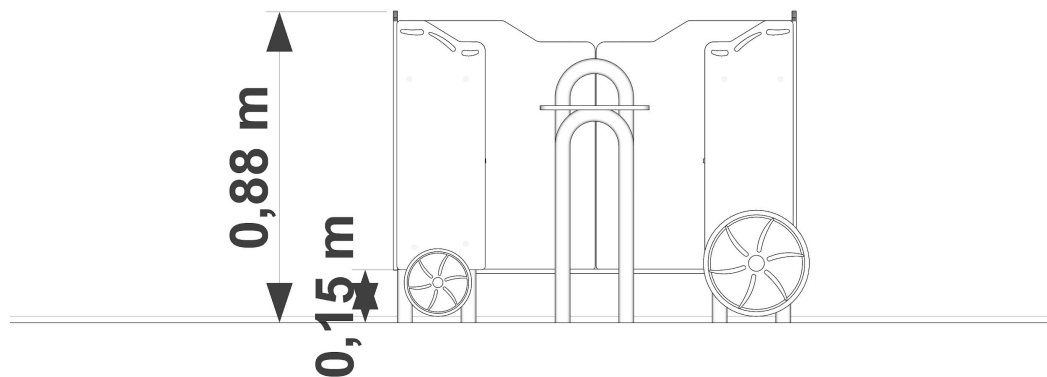
- Device size:	1,18 x 0,80 m
- Total height:	0,88 m
- Impact area dimensions:	4,18 x 3,80 m
- Impact area:	13,90 m ²
- Free fall height (HIC):	0,15 m
- Age:	3+



Device and impact area dimensions



Height



Material specification:

Construction:	bent pipes 42,4 mm, galvanized and powder coated
Platform:	stainless steel and HDPE
Barriers:	weatherproof HDPE
Connections:	stainless steel
Applications:	weatherproof HDPE
Anchor:	devices permanently anchored in the ground on a concrete foundation of min. C20/25, 60 cm below the ground level

Impact attenuating surface:

Any

