

Data sheet

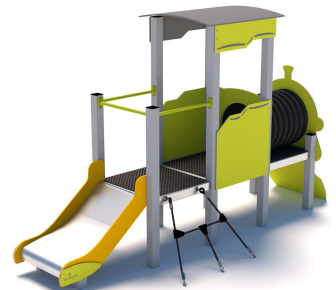
A device for playing outdoors

Made based on the standard PN-EN 1176-1:2017-12

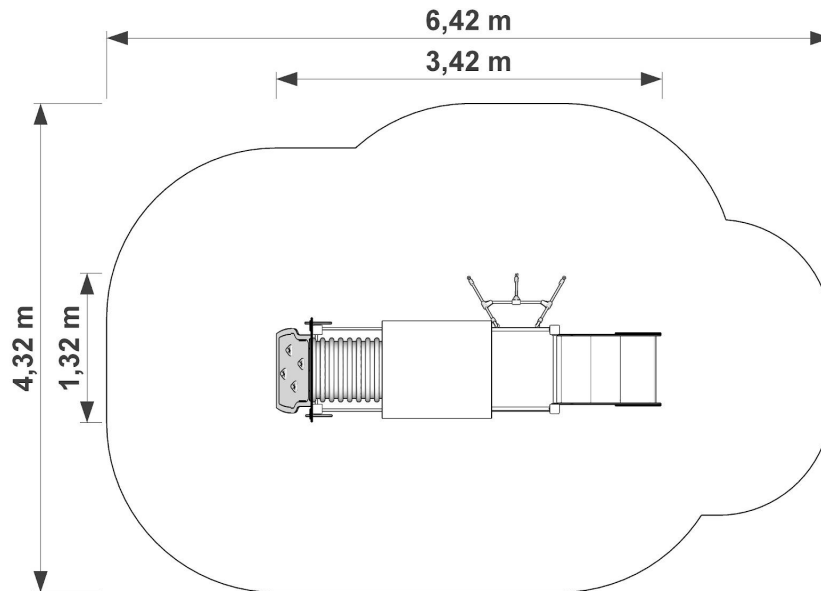
Manufactured in Poland

Technical data

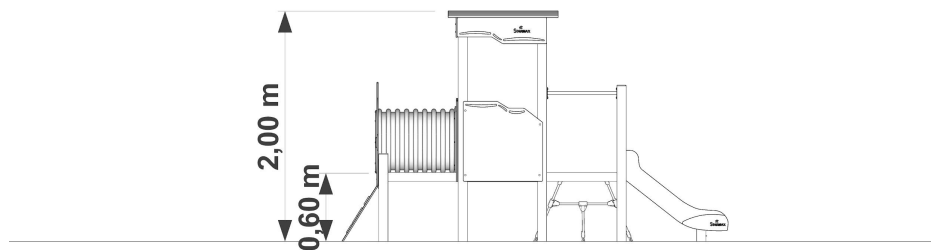
- Device size:	3,42 x 1,32 m
- Total height:	2,00 m
- Impact area dimensions:	6,42 x 4,32 m
- Impact area:	22,95 m ²
- Free fall height (HIC):	0,60 m
- Age:	3+



Device and impact area dimensions



Height



Material specification:

Construction:	steel profile 80 x 80 x 3 mm, galvanized and powder coated
Bars / ladders:	pipe 26,9x2,9 mm galvanized and powder coated
Slide:	stainless steel
Platform:	stainless steel and non-slip HDPE
Barriers:	weatherproof HDPE
Roof:	weatherproof HDPE
Connections:	stainless steel
Applications:	weatherproof HDPE
Anchor:	devices permanently anchored in the ground on a concrete foundation of min. C20/25, 60 cm below the ground level

Impact attenuating surface:

Any

