

## Data sheet

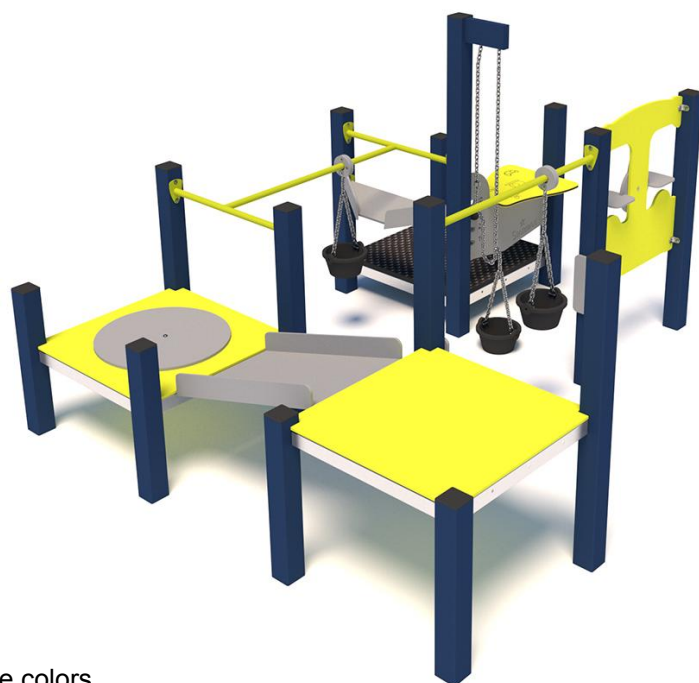
A device for playing outdoors

Made based on the standard PN-EN 1176-1:2017-12

Manufactured in Poland

### Technical data

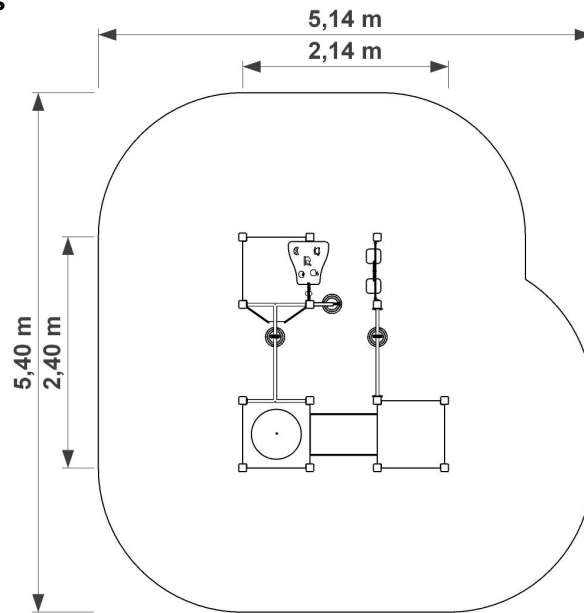
- Device size:	2,14 x 2,40 m
- Total height:	1,50 m
- Impact area dimensions:	5,14 x 5,40 m
- Impact area:	24,23 m <sup>2</sup>
- Free fall height (HIC):	0,20 m
- Age:	0-3, 3+



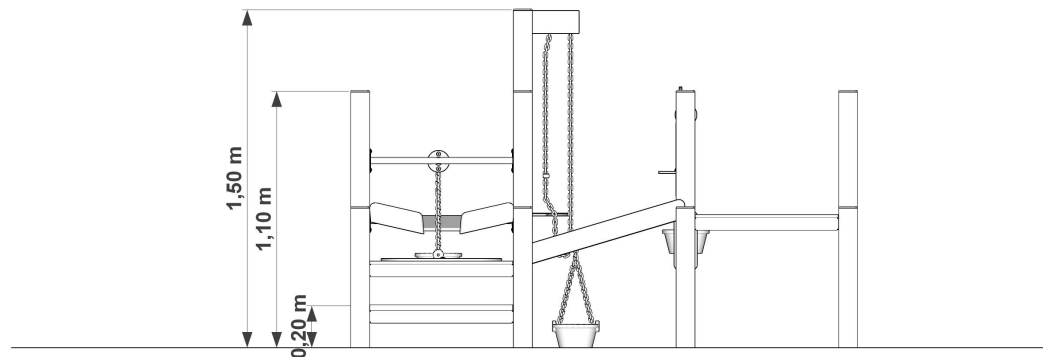
Available colors



## Device and impact area dimensions



## Height



## Material specification:

Construction:	steel profile 80 x 80 mm, galvanized and powder coated galvanized folded sheet
Bars / ladders:	pipe 26,9x2,9 mm galvanized and powder coated
Platform:	stainless steel and HDPE
Barriers:	weatherproof HDPE
Connections:	stainless steel
Applications:	weatherproof HDPE
Anchor:	devices permanently anchored in the ground on a concrete foundation of min. C20/25, 60 cm below the ground level

## Impact attenuating surface:

Any

