

Data sheet

A device for playing outdoors

Made based on the standard PN-EN 1176-1:2017-12

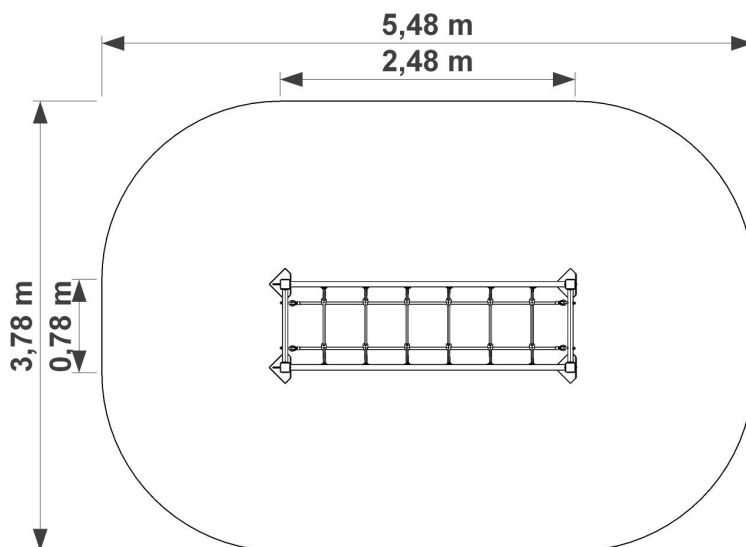
Manufactured in Poland

Technical data

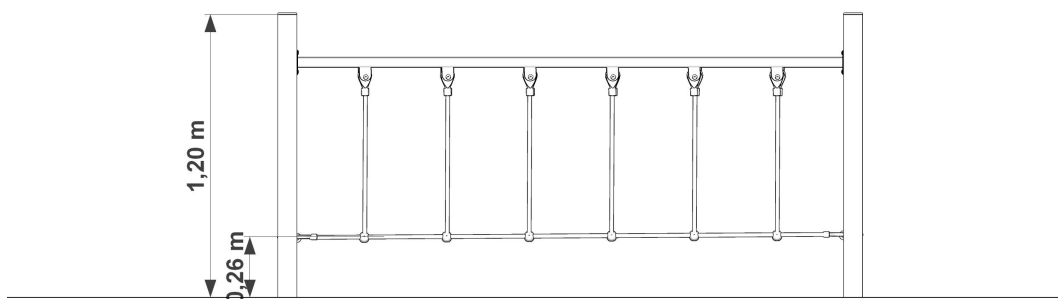
- Device size:	2,48 x 0,78 m
- Total height:	1,20 m
- Impact area dimensions:	5,48 x 3,78 m
- Impact area:	18,80 m ²
- Free fall height (HIC):	0,36 m
- Age:	3+



Device and impact area dimensions



Height



Material specification:

Construction:	steel profile 80 x 80 mm, galvanized and powder coated
Bars / ladders:	pipe 42,4 mm galvanized and powder coated
Lines:	polypropylene with steel core
Connections:	stainless steel
Anchor:	devices permanently anchored in the ground on a concrete foundation of min. C20/25, 60 cm below the ground level

Impact attenuating surface:

It is required to make one of the impact attenuating surface:

Grass

Sand – 0,2 - 2 mm grain size, depth min. 200 mm,

Gravel – 2 - 8 mm grain size, depth min. 200 mm,

Bark – 20 - 80 mm particle size, depth min. 200 mm,

Woodchips – 5 - 30 mm particle size, depth min. 200 mm,

Other materials and other depths as tested according to EN 1178

