

Data sheet

A device for playing outdoors

Made based on the standard PN-EN 1176-1:2017-12

Manufactured in Poland

Technical data

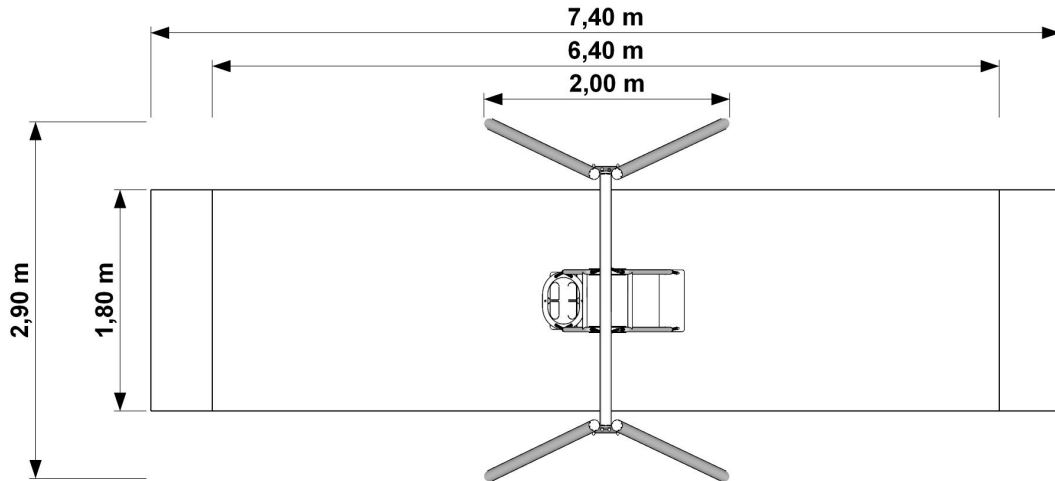
- Device size:	2,00 x 2,90 m
- Total height:	2,35 m
- Impact area dimensions:	7,40 x 1,80 m (6,40 x 2,90 m)*
- Impact area:	13,32 m ² (11,52 m ²)*
- Free fall height (HIC):	1,26 m
- Age:	0-3,3+



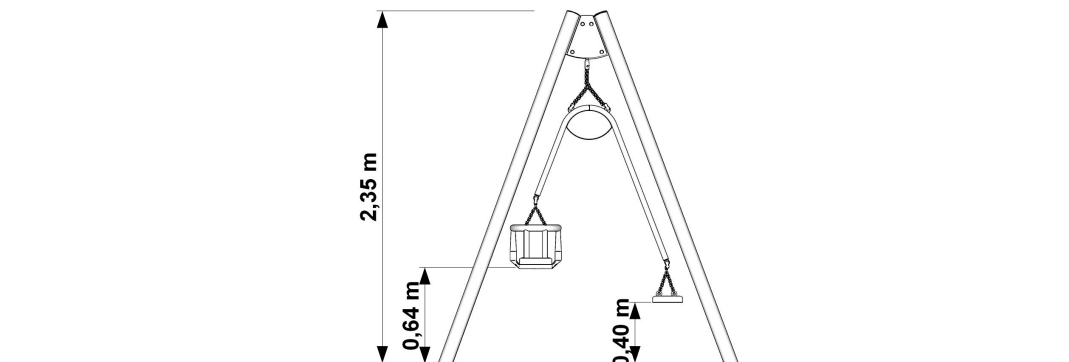
Available colors



Device and impact area dimensions



Height



Material specification:

Construction:	steel pipe 80 x 80 mm, galvanized and powder coated
Suspension:	stainless steel
Anchor:	devices permanently anchored in the ground on a concrete foundation of min. C20/25, 50 cm below the ground level

Impact attenuating surface:

It is required to make one of the impact attenuating surface:

- Sand – 0,2 - 2 mm grain size, depth min. 300 mm,
- Gravel – 2 - 8 mm grain size, depth min. 300 mm,
- Bark – 20 - 80 mm particle size, depth min. 300 mm,
- Woodchips – 5 - 30 mm particle size, depth min. 300 mm,
- Other materials and other depths as tested according to EN 1177

