



Technical data

Made based on the norm:

PN-EN 1176-1+A1:2024-03

Equipment dimensions:

3,00 x 2,04 m

Overall height:

1,78 m

Safety zone dimensions:

6,00 x 5,04 m

Safety zone area:

24,39 m²

Maximum fall height:

0,88 m

Age group:

3-6, 6+

Number of users:

6

Features



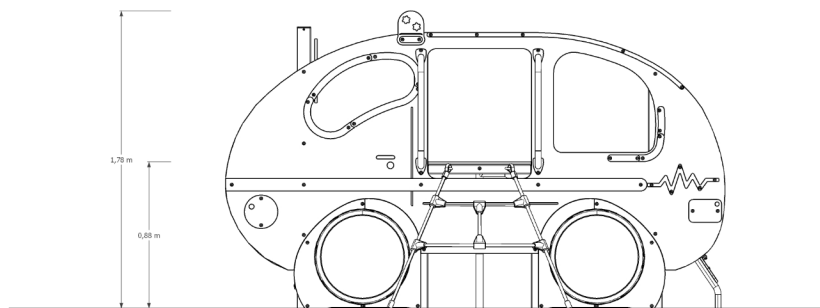
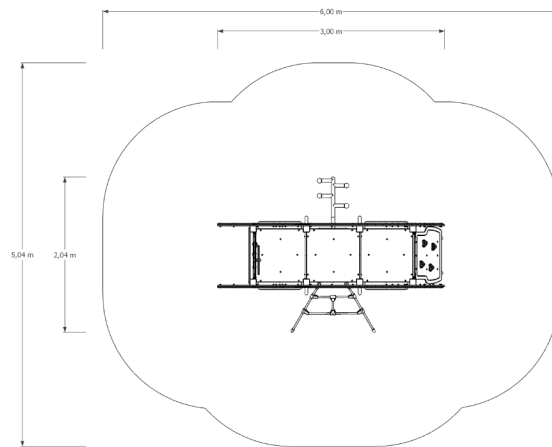
Climbing



Role play



Manipulation



Material specification:

- Construction:** Profiles measuring 80 x 80 mm, galvanized, powder coated
- Bar:** Pipes with a diameter of 26.9 mm, stainless steel | Pipes with a diameter of 33.7 mm, galvanized, powder coated
- Platform:** HDPE anti-slip
- Guard:** HDPE
- Rope:** Polypropylene with a steel core
- Connections:** Stainless steel
- Tunnel:** Polypropylene
- Applications:** HDPE
- Climbing wall:** HDPE
- Anchoring:** Equipment permanently anchored in the ground on a concrete foundation min. class C20/25, 60 cm below ground level

Permitted safety surface:

grass,
 Sand – fraction 0.2 to 2 mm, thickness min. 200 mm,
 Gravel – fraction 2 to 8 mm, thickness min. 200 mm,
 Bark – fraction 20 to 80 mm, thickness min. 200 mm,
 Chips – fraction 5 to 30 mm, thickness min. 200 mm,
 Synthetic, thickness min. consistent with the material manufacturer,
 Hard (concrete, asphalt, slabs)