

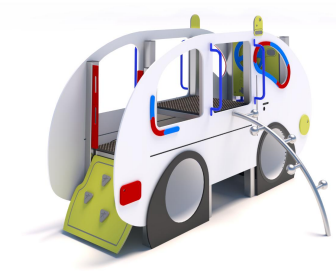
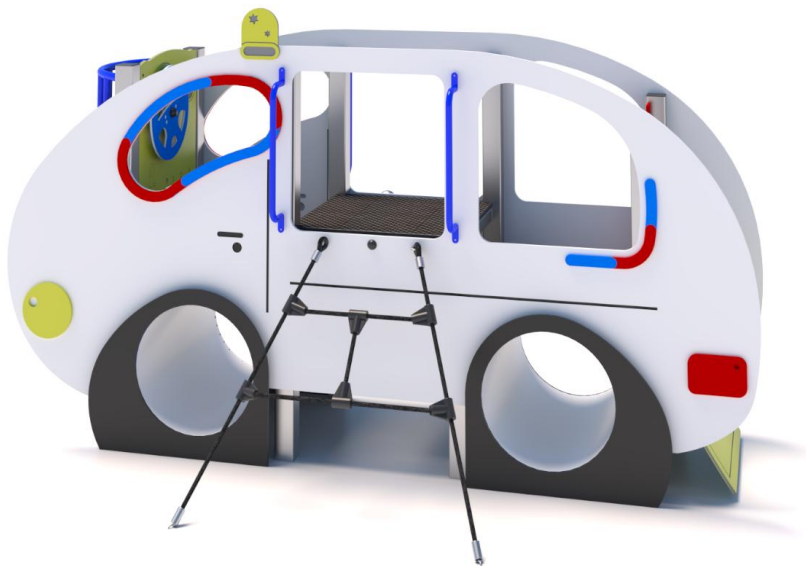
## Data sheet

A device for playing outdoors  
 Made based on the standard  
 PN-EN 1176-1:2017-12

Manufactured in Poland

## Technical data

- Device size:	3,09 x 2,47 m
- Total height:	1,76 m
- Impact area dimensions:	6,09 x 5,49 m
- Impact area:	25,95 m <sup>2</sup>
- Free fall height (HIC):	0,90 m
- Age:	3 +



## Set contains:

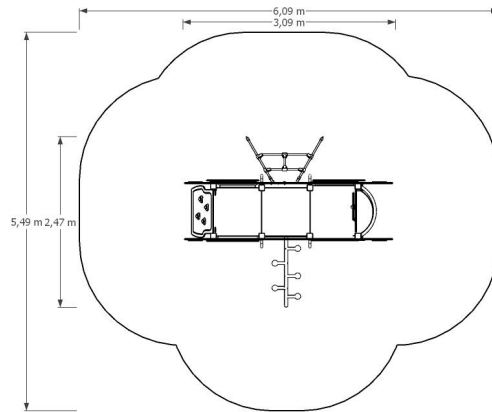
3 platforms  
 rope entrance  
 arch entrance

climbing wall  
 two tube tunnels  
 educational board "driver"

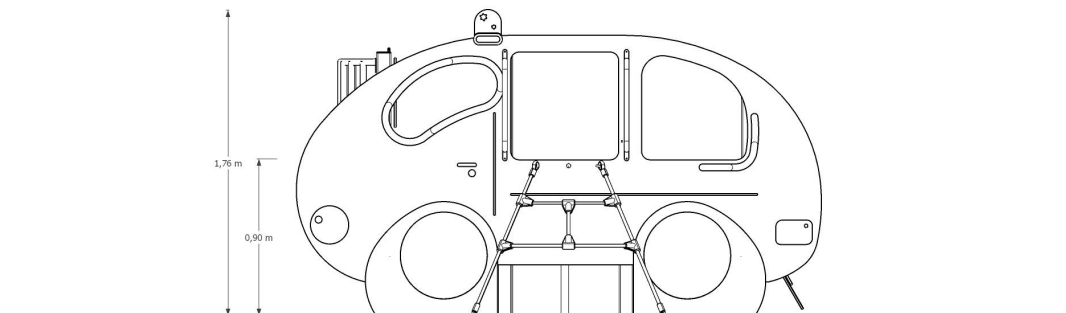
balcony  
 ambulance motif



## Device and impact area dimensions



## Height



## Material specification:

Construction:	steel profile 80 x 80 mm stainless steel
Bars / ladders:	pipe 26,9x2,9 mm stainless steel
Platform:	stainless steel and HPL
Barriers:	weatherproof HDPE
Lines:	polypropylene with steel core
Connections:	stainless steel
Tube:	polypropylene
Applications:	weatherproof HDPE
Wall:	weatherproof HDPE
Anchor:	devices permanently anchored in the ground on a concrete foundation of min. C20/25, 60 cm below the ground level

## Impact attenuating surface:

It is required to make one of the impact attenuating surface:

- Grass
- Sand – 0,2 - 2 mm grain size, depth min. 300 mm,
- Gravel – 2 - 8 mm grain size, depth min. 300 mm,
- Bark – 20 - 80 mm particle size, depth min. 300 mm,
- Woodchips – 5 - 30 mm particle size, depth min. 300 mm,
- Other materials and other depths as tested according to EN 1177

