

Data sheet

A device for playing outdoors
Made based on the standard
PN-EN 1176-1:2017-12

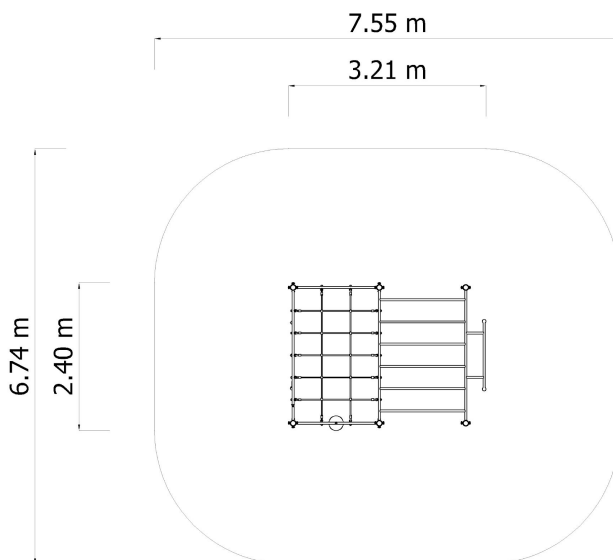
Manufactured in Poland

Technical data

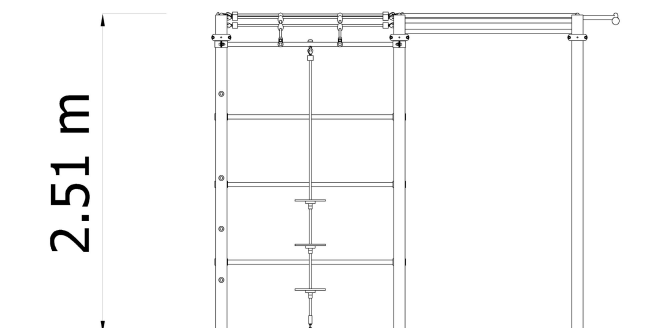
- Device size:	3,21 x 2,40 m
- Total height:	2,51 m
- Impact area dimensions:	7,55 x 6,74 m
- Impact area:	46,81 m ²
- Free fall height (HIC):	2,51 m
- Age:	3+



Device and impact area dimensions



Height



Material specification:

Construction:	Pipe 88,9 mm, galvanized and powder coated
Bars / ladders:	pipe 33,7 mm galvanized and powder coated
Lines:	polypropylene with steel core
Connections:	stainless steel
Applications:	weatherproof HDPE
Anchor:	devices permanently anchored in the ground on a concrete foundation of min. C20/25, 60 cm below the ground level

Impact attenuating surface:

It is required to make one of the impact attenuating surface:

Grass

Sand – 0,2 - 2 mm grain size, depth min. 300 mm,

Gravel – 2 - 8 mm grain size, depth min. 300 mm,

Bark – 20 - 80 mm particle size, depth min. 300 mm,

Woodchips – 5 - 30 mm particle size, depth min. 300 mm,

Other materials and other depths as tested according to EN 1179

