

OF2-03+04 Tai Chi Wheels Big and Small



EN

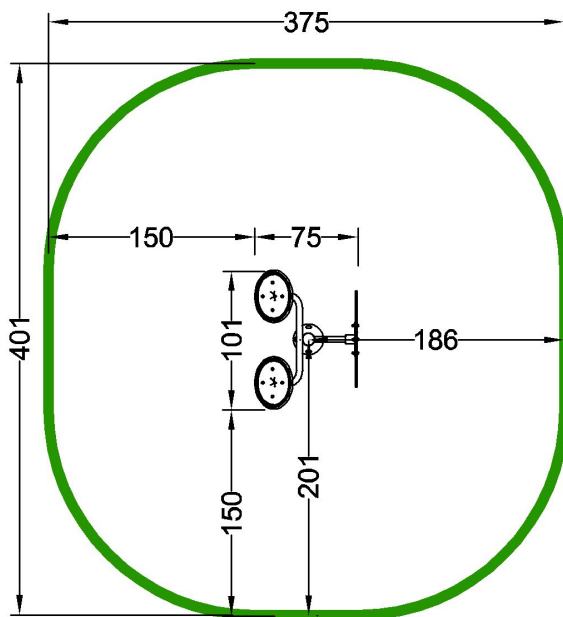
Technical information

Device dimensions	0,75 x 1,01 m
Total height	1,61 m
Safe area dimensions	3,75 x 4,01 m
Safe zone area	13,12 m ²
Free Fall Height (HIC)	-
Maximum user weight	120 kg
Target User Group	adults and adolescents over 140 cm tall
Standard	PN-EN 16630:2015-06
Country of production	Poland

Material specification

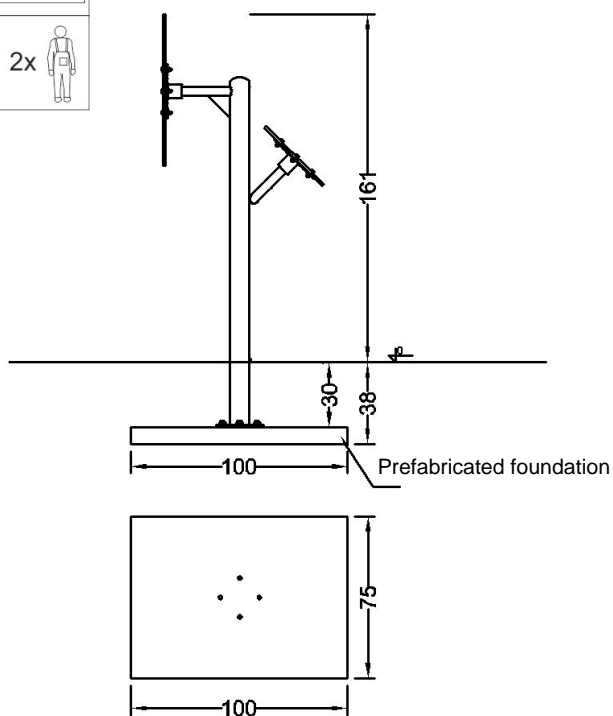
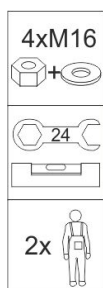
Construction	88.9 mm pole, powder coated
Other pipes	42.4 mm pipes, powder coated
Screw connections	stainless steel
Standard colors	grey (RAL 9006) and green (RAL 6018)
Foundation	device founded in the ground on prefabricated foundation or foundation with poured concrete, class min. C20/25, 30 cm below ground level.

Device dimensions and safe area



Installation method (2 options)

On a prefabricated foundation



Poured foundation (concreting)

